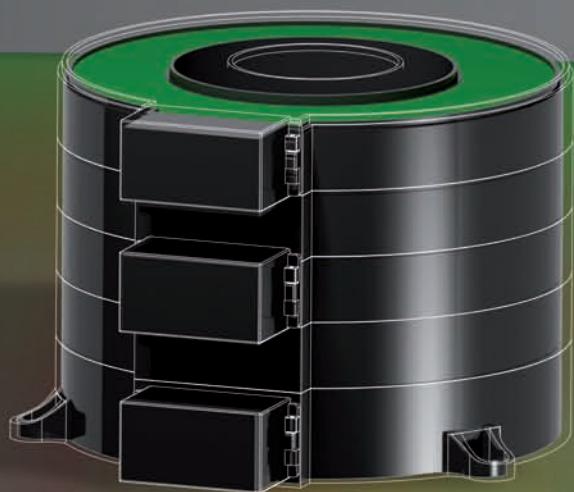
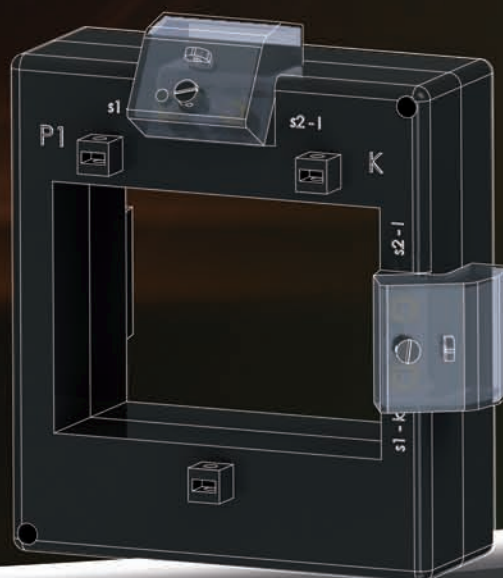


Company Profile



REG

MADE IN ITALY



Areas of Application

MEDIUM VOLTAGE CURRENT TRANSFORMERS

Wide range of solutions, inner diameter from 55 mm to 550 mm also for marine applications.

The TT series with its modular height provides effective and innovative solutions.

The TTC series allows the manufacturing of customized CT's with desired performance and dimensions.

The TTCA series allows the manufacturing of open type CT's with desired performance and dimensions suitable for easy installation.

The TTR series fully resin casted is designed for outdoor and high temperature applications.

LOW VOLTAGE CURRENT AND VOLTAGE TRANSFORMERS

Wide range of solutions suitable also for marine and anti-vibration executions.

CT series designed for Power Center switchgear manufacturers with solutions designed for the modern circuit breakers generation.

The TTC series allows the manufacturing of customized CT's with desired performance and dimensions.

The TTCA series allows the manufacturing of open type CT's with desired performance and dimensions suitable for easy installation.

The TTR series fully resin casted is designed for outdoor and high temperature applications.

Our goal is

“to distinguish ourselves and generate solutions meeting the expectations of an increasingly demanding market”



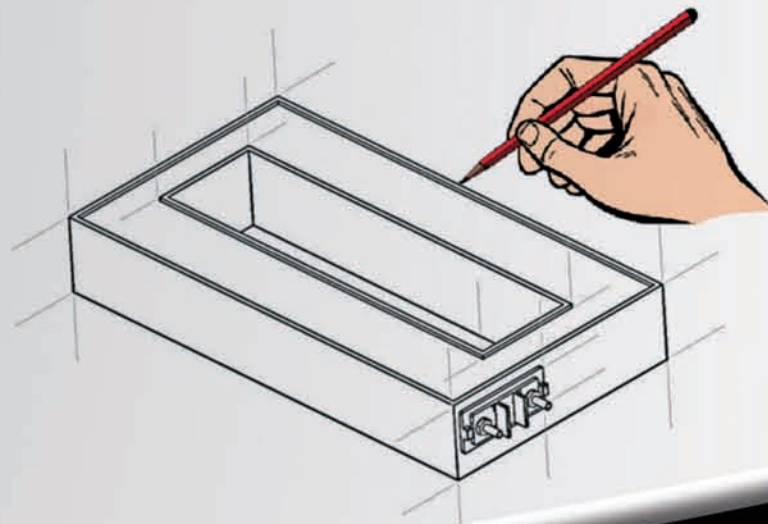
Our team develops manufactures and supplies a wide range of toroidal transformers.

Specialization

Performance and portfolio variety: for thirty years REG has been producing, developing and distributing toroidal transformers thanks to highly specialized competences and cutting edge technologies.

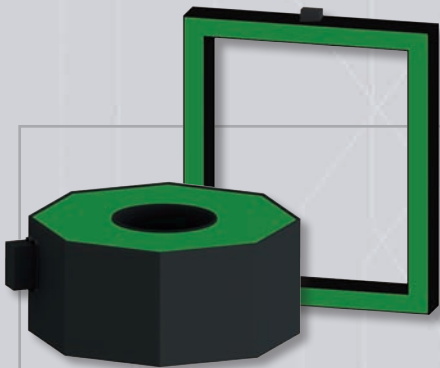
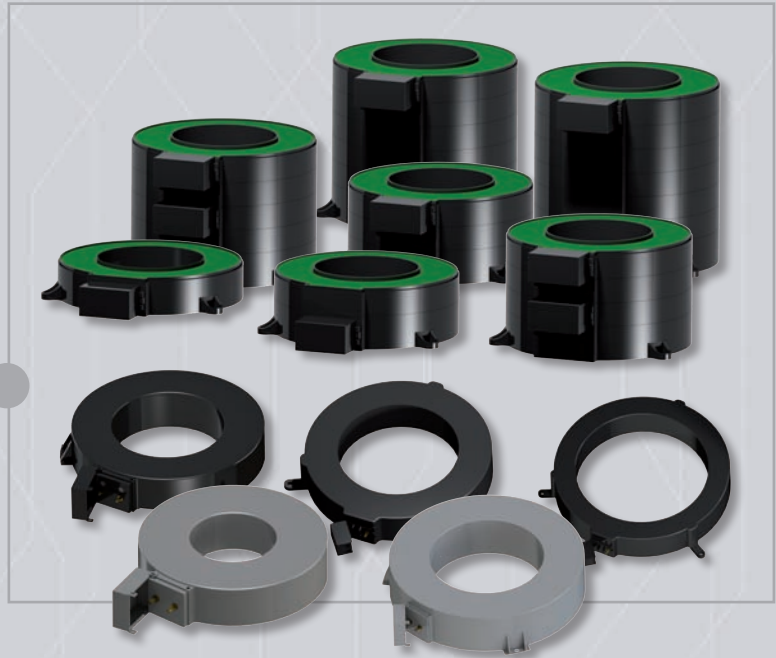
Innovation, care to details and make REG the ideal partner for quality and customization in the most demanding markets.

REG great flexibility meets the customer requirements even for small batches without additional burden on costs.



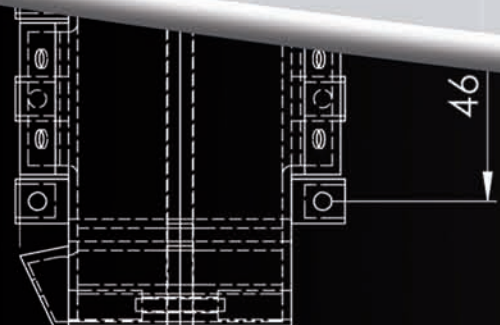
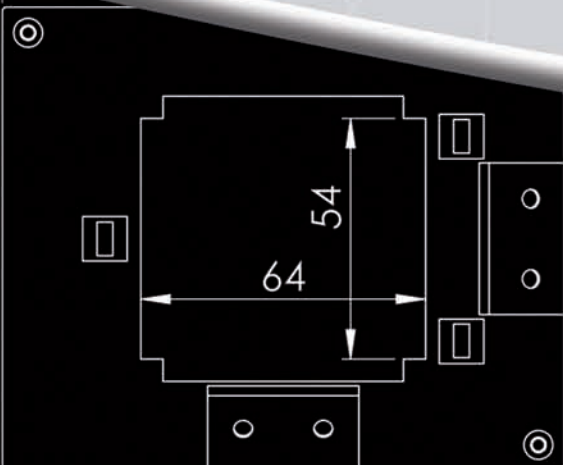
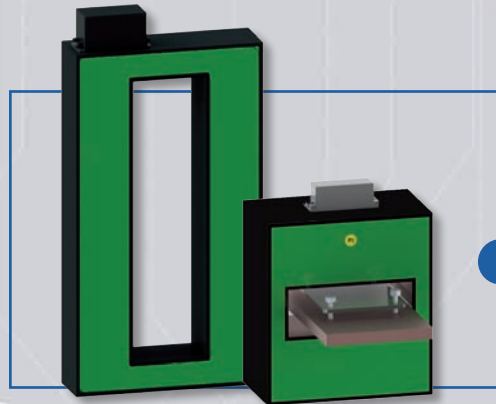
Technology

The **modular TT series** provides advanced and efficient solutions compared to conventional casting methods and grants limited sizes and weights, meeting the most various requirements. The inner diameter range for cable passage goes from 55mm to 550mm with a wide selection of intermediate sizes.

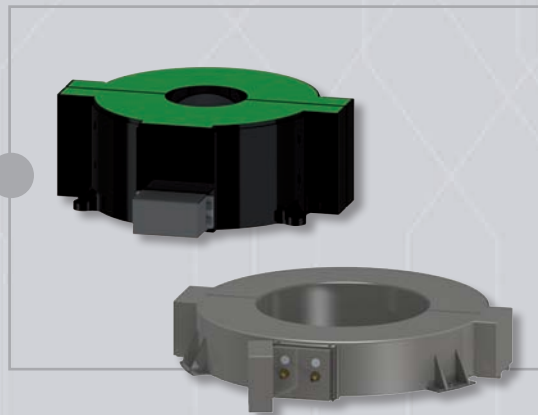
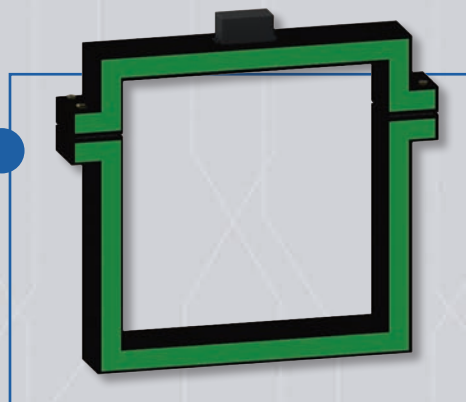


The **TTC series** provides customized solutions designed with special attention to dimensional and mechanical aspects beside the performance.

The design provides basically infinite combinations which minimize the installation and positioning problem in the electrical switchgear.



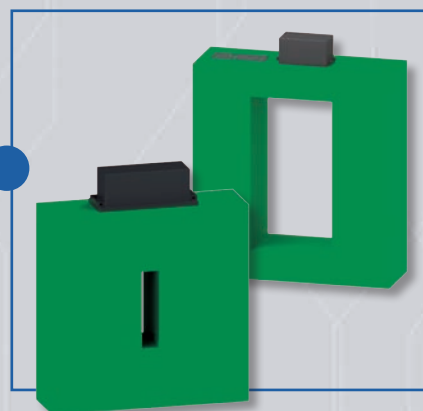
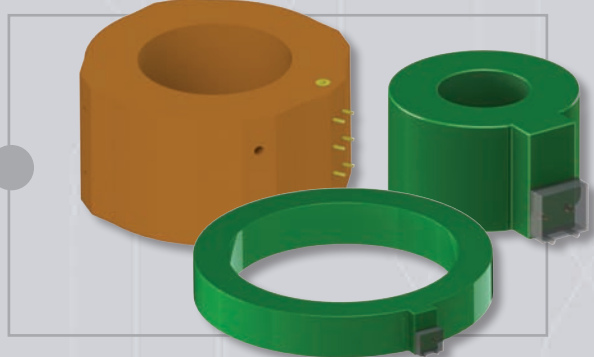
The **TTCA series** offers the same solutions as TTC series but with open type design. This peculiarity eases the installation and removal of the transformer in existing plants with particular requirements.



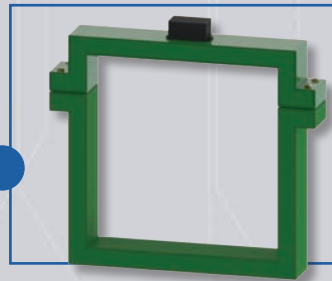
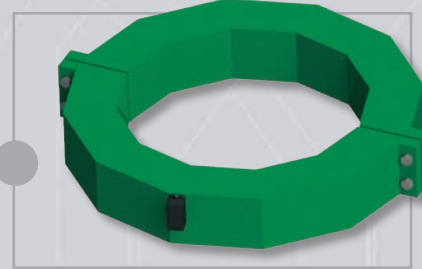
The **TTR series** provides customized solutions designed with special attention to dimensional and mechanical aspects beside the performance.

The design provides basically infinite combinations which minimize the installation and positioning problem in the electrical switchgear.

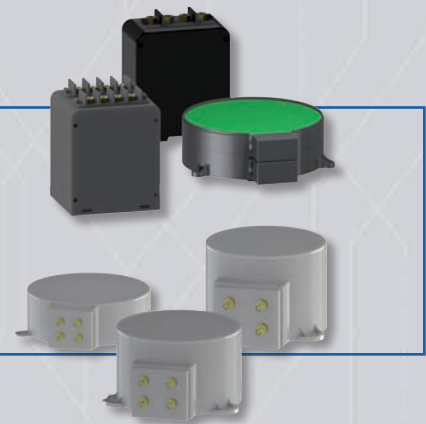
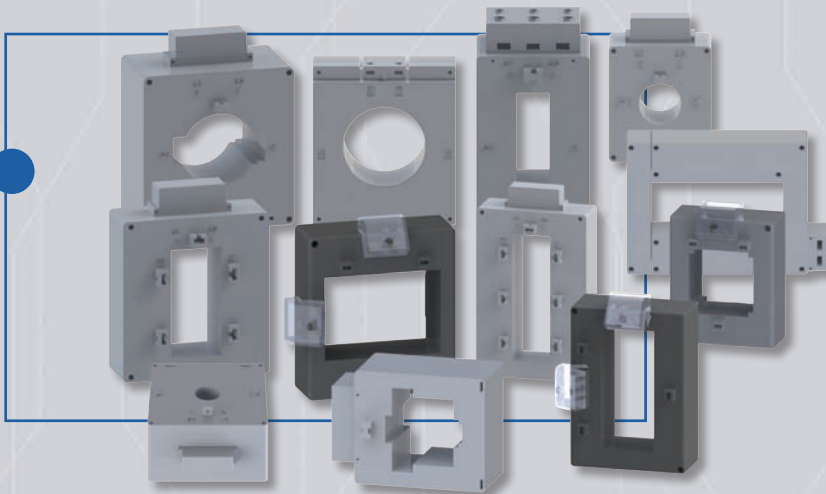
Differently from TTC, the transformer is fully manufactured in epoxy resin granting excellent performances in tropical climates and high mechanical resistance at severe service temperatures.



The **TTRA series** offers the same solutions as TTR series but with open type design. This peculiarity eases the installation and removal of the transformer in existing plants with particular requirements.



The **BT series** of current and voltage transformers provides a wide range of solution in Low Voltage applications. We offer various models of inner windows for busbars and cables passage designed for Power Center switchgear and suitable for the modern circuit breaker generations. The voltage transformers family provides very low thermal dissipation which gets it more performant than any standard model.



Our Warranty



LOWAG



Some our Costumers



CASAGRANDE
ELETTROCOSTRUZIONI
SpA



SIEMENS

TOZZIgreen



REG

Via G.B. Stucchi, 66/20A - 20900 Monza MB

Tel. 039-839019 - Fax 039-831339

<http://www.reg-ta.com>

e-mail: info@reg-ta.com